

# ROAD WIDENER OFFSET VIBE ROLLER

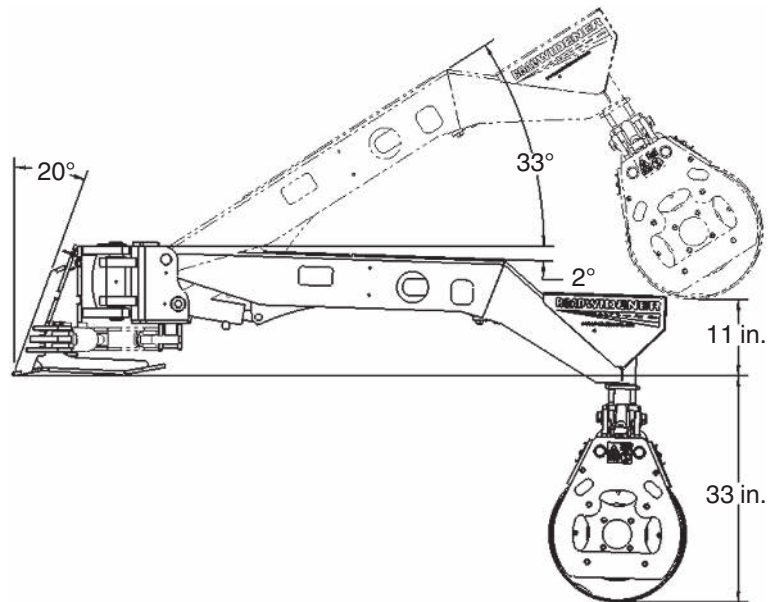
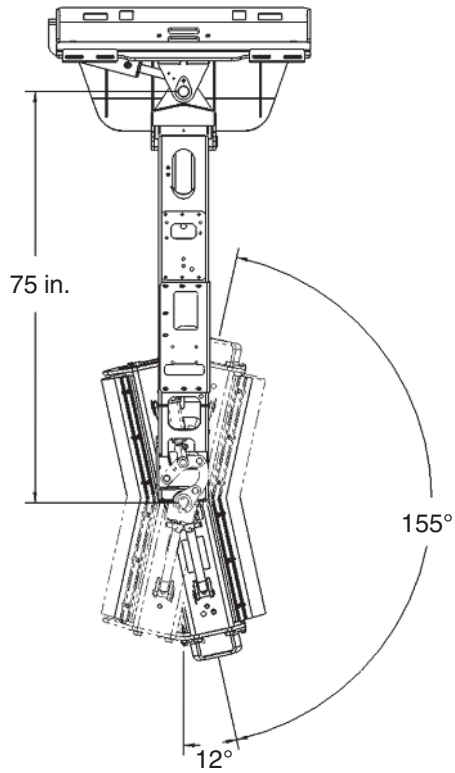
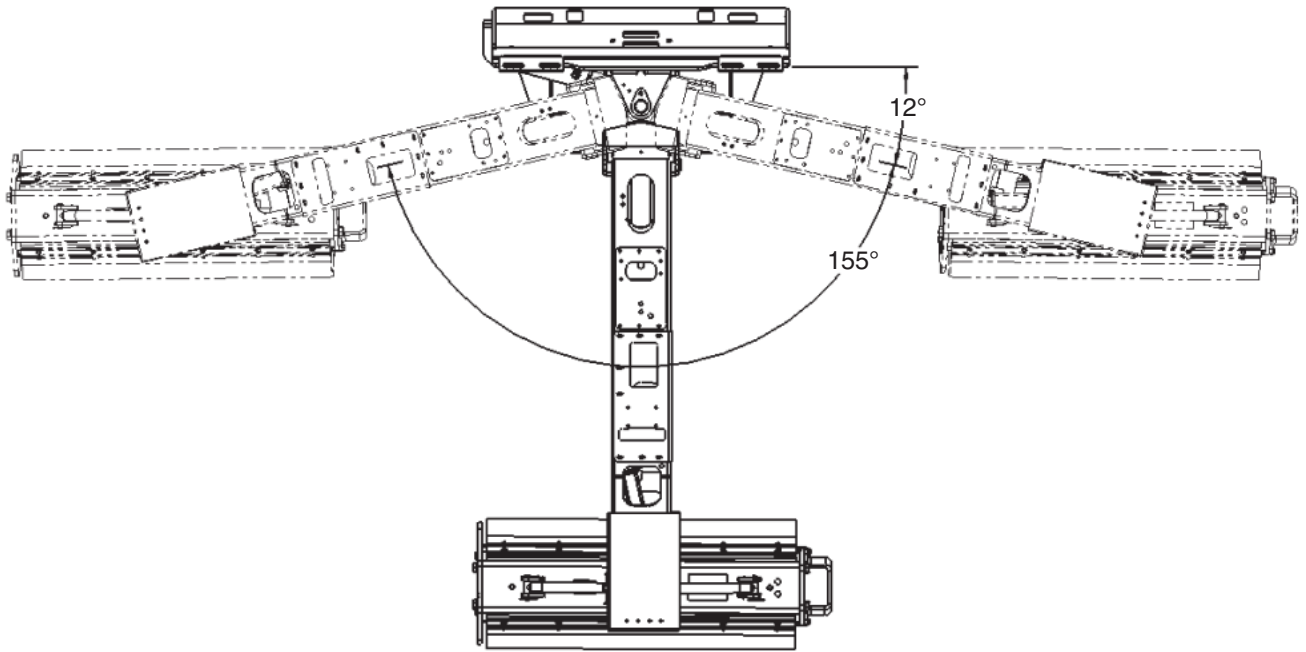
*Compacts All Aggregates  
Connects to Any Machine  
Patented Technology*



**ROADWIDENER<sup>®</sup>**

1-844-494-3363 | [Sales@RoadWidenerLLC.com](mailto:Sales@RoadWidenerLLC.com)  
[www.RoadWidenerLLC.com](http://www.RoadWidenerLLC.com)

## OFFSET VIBE ROLLER - PRODUCT SPECIFICATIONS





*Offset feature allows operator to stay on the road while rolling and compacting shoulders and ditches.*



*Safest rolling solution on the market!*

- Safest roller on the market – one-of-a kind attachment
- Attaches to any machine via SAE quick connector coupling
- Requires only standard flow hydraulics
- Remote control puts functions in the hands of the operator
- Vibratory feature creates optimal compaction
- Can roll stone, asphalt, RAP, dirt
- Multiple roller widths 2', 3', and 4'
- Can roll outside slope of shoulder, not just horizontal edges (up to 30-degree drum pivot)
- Can be dropped down into trenches – drum goes to 30 inches below mounting point
- Sprayer manifold for hot asphalt users



*Remote control*

| ARM WEIGHT<br>LB (KG) | DRUM WIDTH<br>FT (CM) | DRUM MASSV<br>LB (KG) | MIN. CENTRIFUGAL<br>FORCE<br>LBF (KGF) | MIN. TOTAL<br>APPLIED FORCE<br>LBF (KGF) | VPM       |
|-----------------------|-----------------------|-----------------------|--|--|-----------|
| 950 (431)             | 2' (61.0)             | 552 (250)             | 1513 (686)                             | 3016 (1368)                              | 2500-3500 |
| 950 (431)             | 3' (91.4)             | 646 (293)             | 1513 (686)                             | 3110 (1410)                              | 2500-3500 |
| 950 (431)             | 4' (121.9)            | 732 (332)             | 1513 (686)                             | 3196 (1449)                              | 2500-3500 |

**Disclaimer:**

All information, illustrations and specifications in this brochure are based on the latest information available at the time of publishing. The illustrations used in this manual are intended as representative reference views only. Products are under a continuous improvement policy. Thus, information, illustrations and/or specifications to explain and/or exemplify a product may be changed at any time without notice.

# ROADWIDENER



Road Widener LLC

Dealer Inquiries: 888-871-3536

Sales: 844-4WIDENER (844-494-3363)

[sales@roadwidenerllc.com](mailto:sales@roadwidenerllc.com)

[www.roadwidenerllc.com](http://www.roadwidenerllc.com)



Made in the USA.